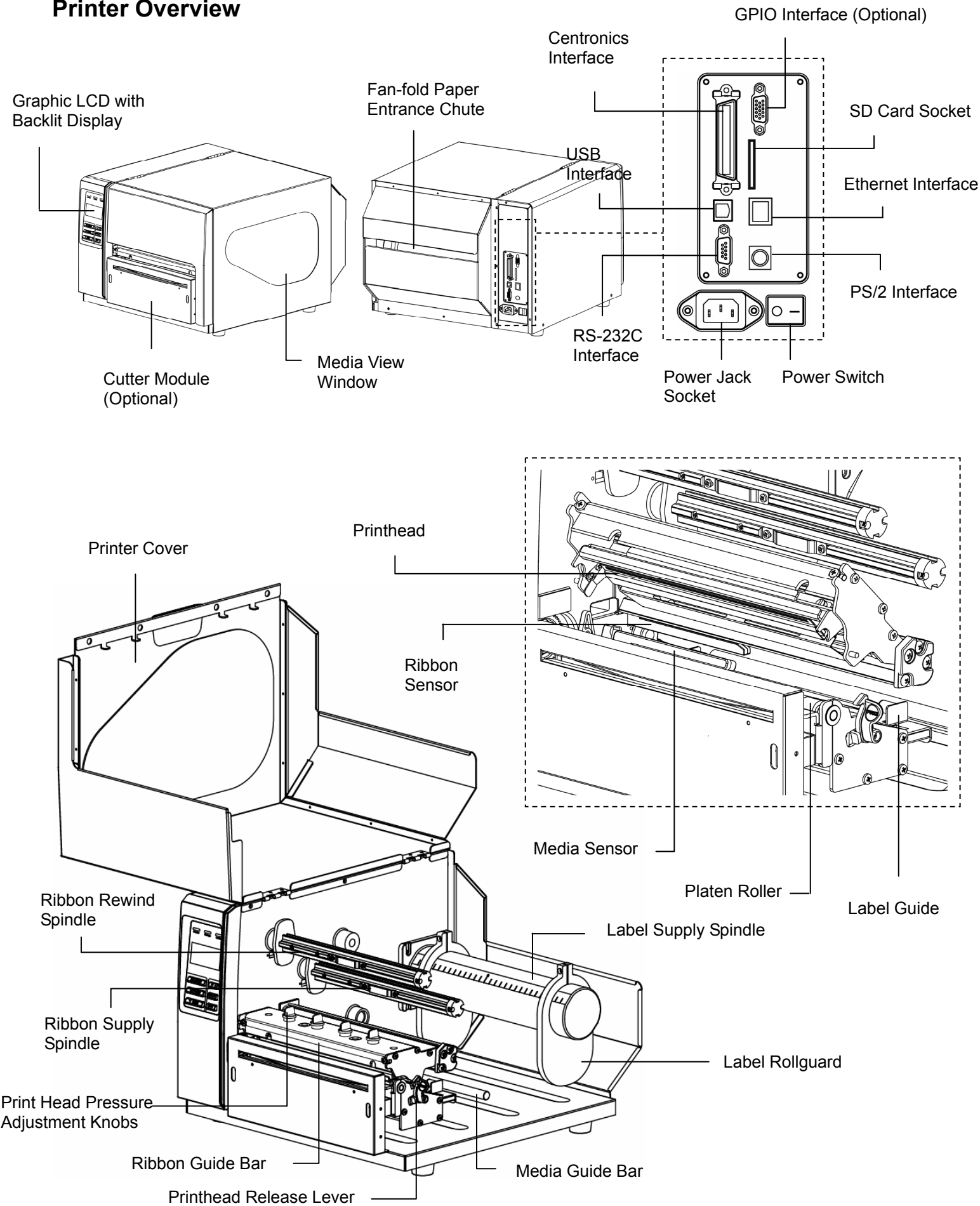
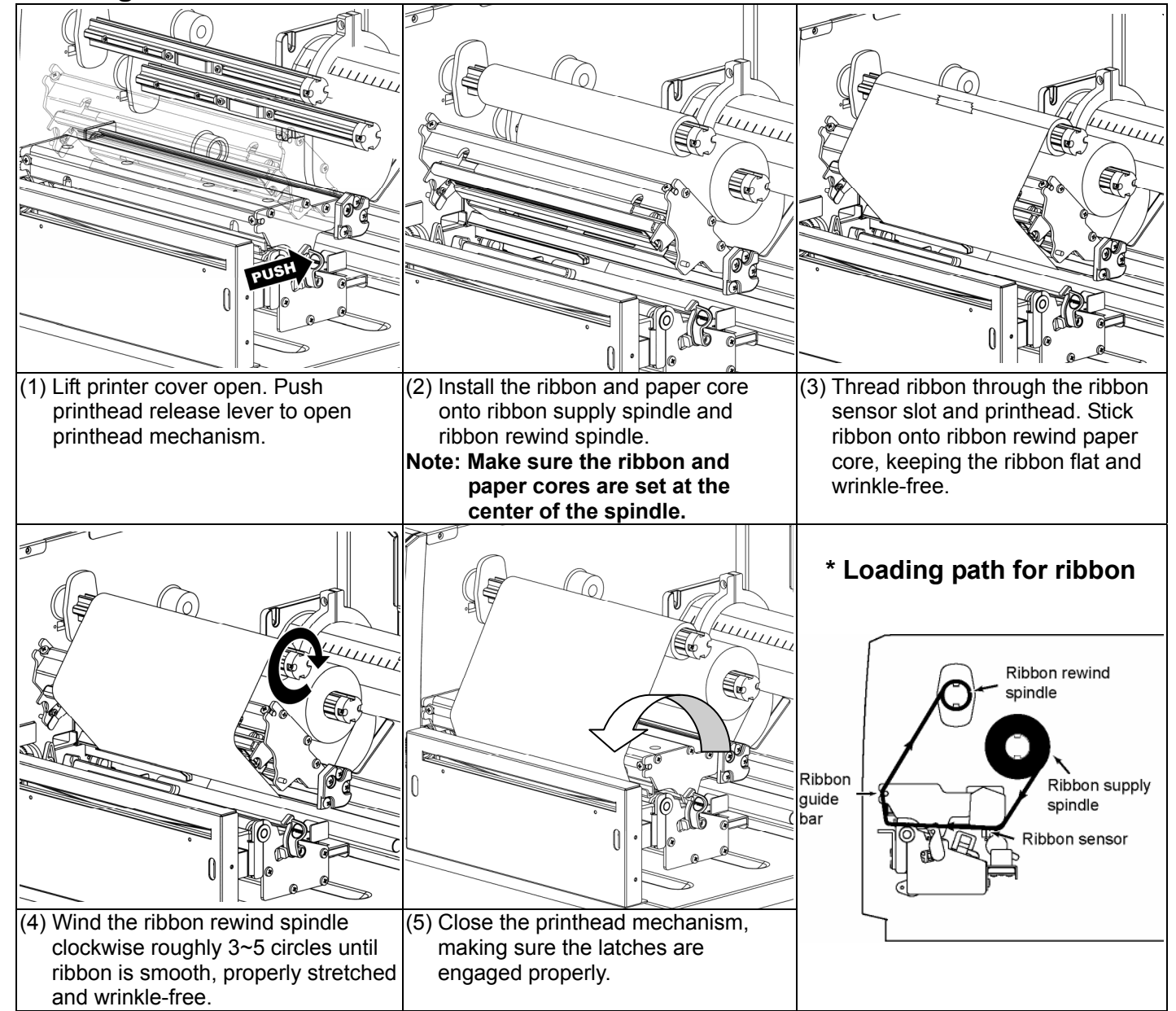


Quick Installation Guide

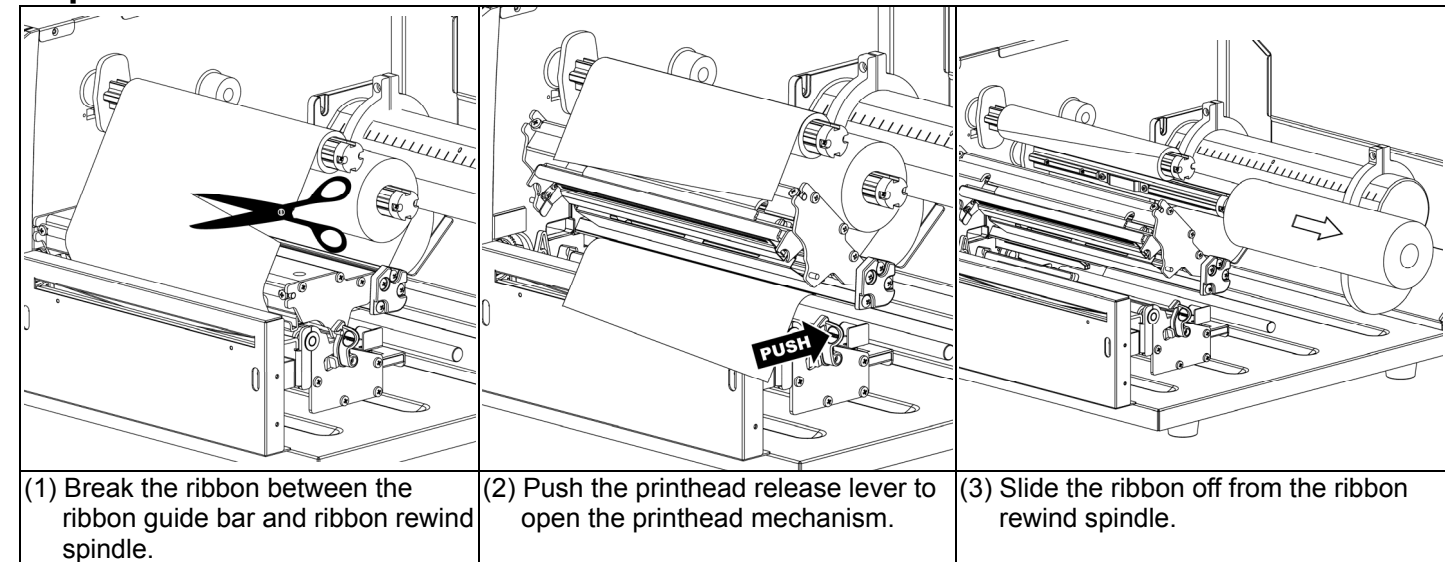
Printer Overview



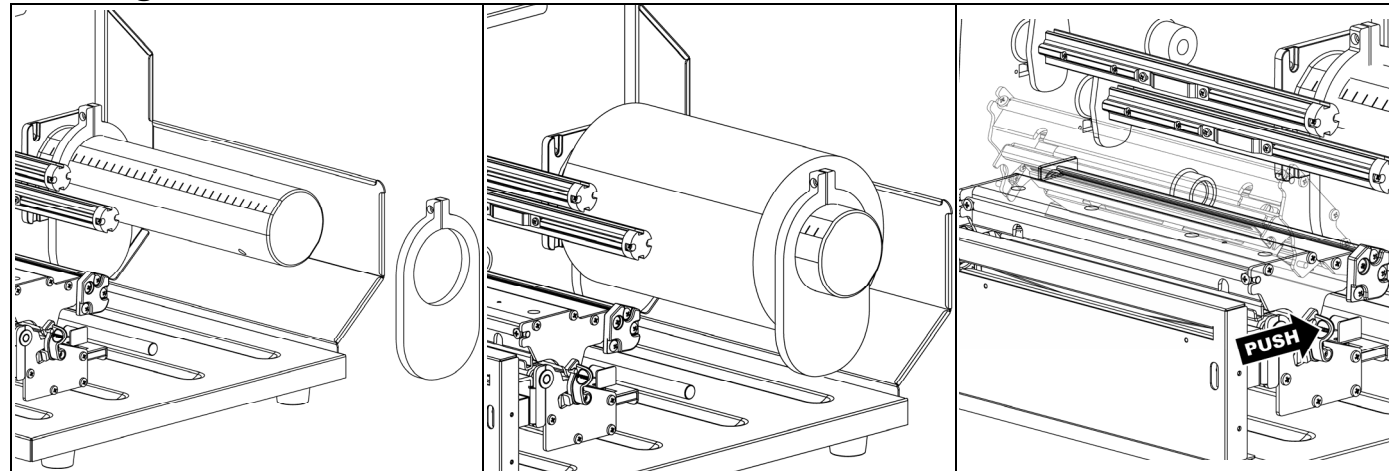
Loading Ribbon



Replace Ribbon



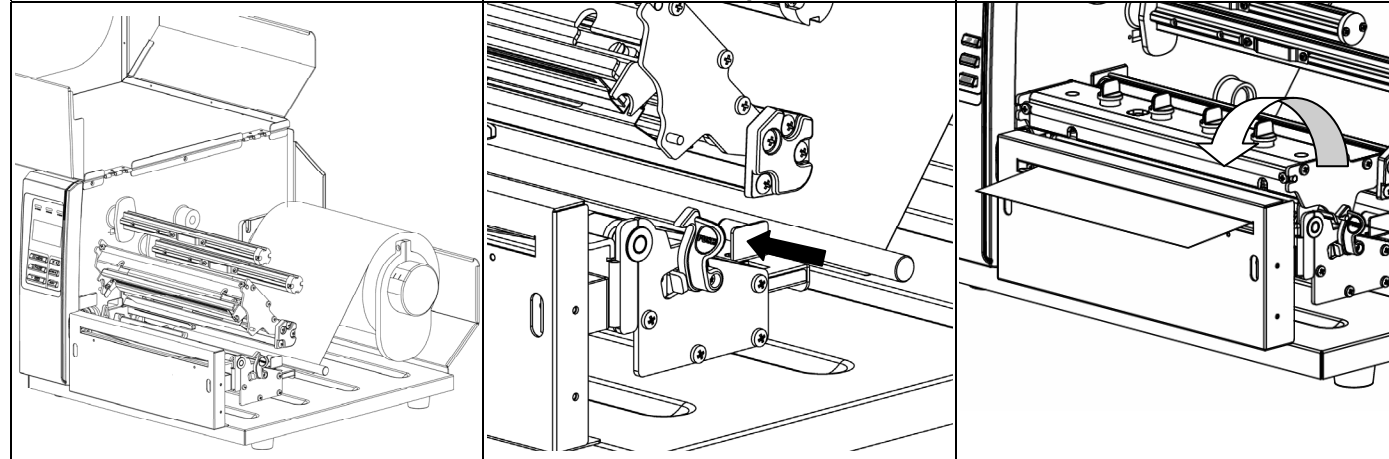
Loading Media



(1) Remove ONE label rollguard.

(2) Place media roll on label supply spindle. Replace label rollguard.
Note: Make sure the media is set at the center of spindle.

(3) Push the printhead release lever to open the printhead mechanism.

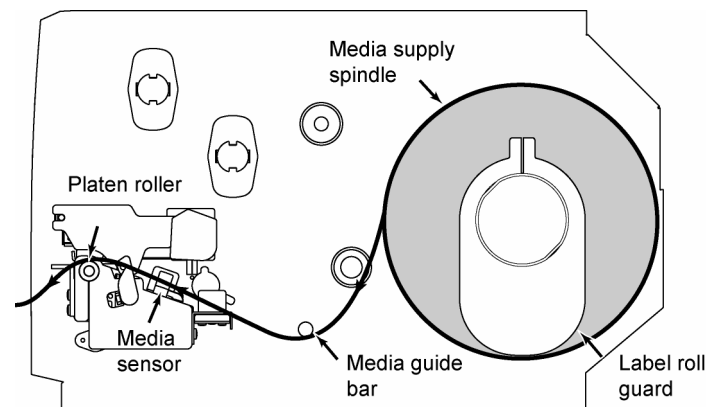


(4) Pull the leading edge of the label forward through the media guide bar past media sensor, and place the leading edge onto the platen roller.

(5) Adjust the label guide to fit label width.

(6) Close printhead mechanism, making sure the latches are engaged properly.

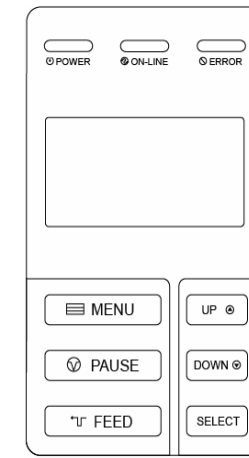
* Loading path for media



(7) Using the front display panel, set media sensor type and calibrate the selected sensor (See "Media Sensor Calibration" on facing page).

Note: Re-calibrate the gap/black-mark sensors when changing media.

Control Panel




LED	Status	Indication	Keys	Function		
POWER	Off	Printer power off	MENU	1. Enter the menu system 2. Once in the menu system, return to previous menu. If at menu root, exits the menu system.		
	On	Printer power on				
ON-LINE	On	Printer is ready				
	Blinking	Printer is paused				
	Blinking	Printer is downloading data				
ERROR	Off	Printer is ready			PAUSE	Pauses or resumes printing
	On	Carriage open OR Cutter error			FEED	Advances one label
	Blinking	No paper, Paper jam OR No ribbon	UP	Scroll up the menu options		
			DOWN	Scroll down the menu options		
			SELECT	Select the currently highlighted option		

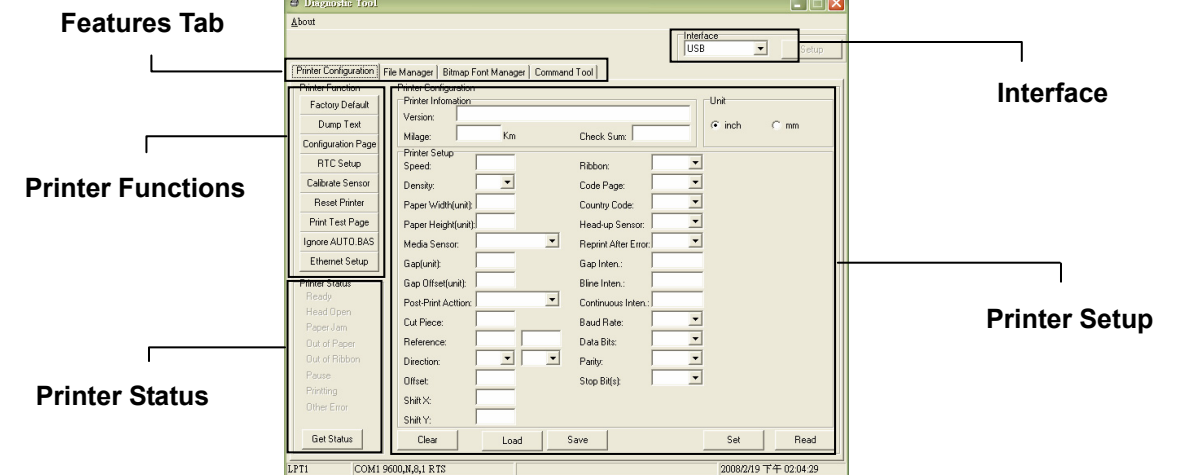
Diagnostic Tool

The Diagnostic Utility toolbox allows users to explore and change printer status and settings. Downloading graphics, fonts, firmware to the printer can be accomplished using this utility, as well as creating bitmap fonts. The Diagtools can be used to send additional commands to the printer and troubleshoot any issues during use.

Note: The Diagnostic Utility requires printer firmwares V6.00 and above.

Start the Diagnostic Tool:

- Double click the Diagnostic tool icon ( **DiagTool.exe**) to start the software.
- Four features (Printer Configuration, File Manager, Bitmap Font Manager, Command Tool) are included in the Diagnostic utility.



(3) The Printer Functions group provides the following options:

Printer Function	Function	Description
Factory Default	Factory Default	Initializes the printer, restoring factory default settings.
Dump Text	Dump Text	Activates printer dump mode.
Configuration Page	Configuration Page	Prints printer configuration.
RTC Setup	RTC Setup	Setup printer's Real Time Clocks.
Calibrate Sensor	Calibrate Sensor	Calibrates the sensor to the specifications of the Printer Setup group media sensor field.
Reset Printer	Reset Printer	Reboots the printer.
Print Test Page	Print Test Page	Prints a test page.
Ignore AUTO.BAS	Ignore AUTO.BAS	Disregards the downloaded AUTO.BAS program upon printer startup.
Ethernet Setup	Ethernet Setup	Setup Ethernet settings.

* For more information and features about this printer, refer to the User's Manual on the CD disk.